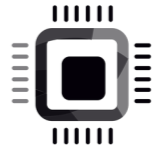


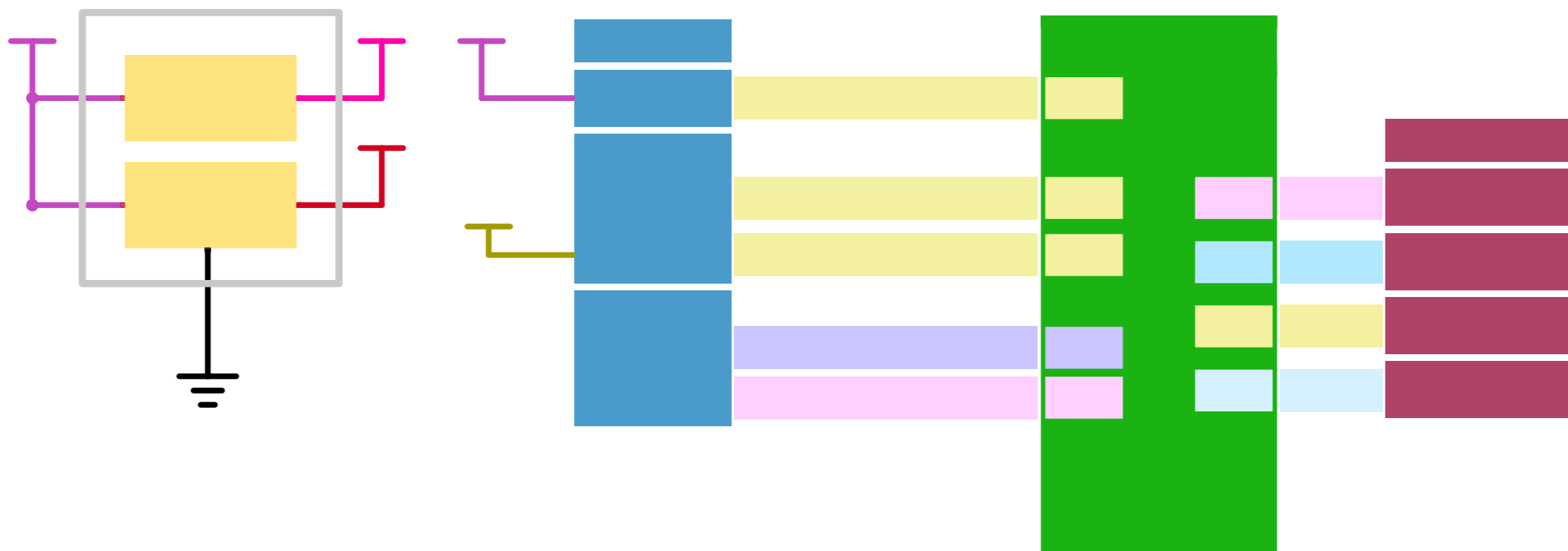
A wide, empty rectangular box spanning most of the page width, likely intended for a title or header.

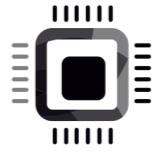
An empty rectangular box, likely a placeholder for a logo or image.

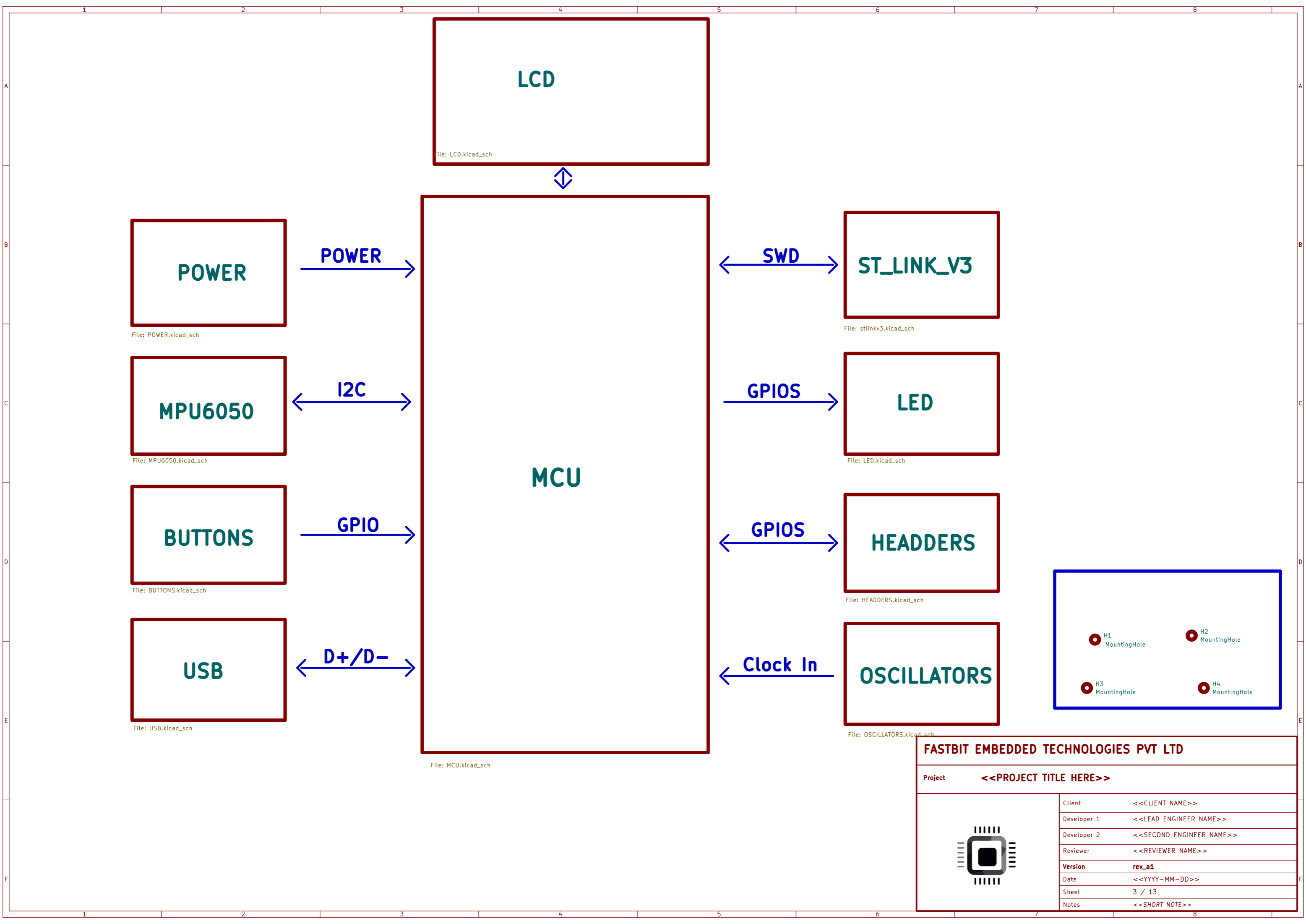
An empty rectangular box, likely a placeholder for a logo or image.

A wide, empty rectangular box spanning most of the page width, likely intended for a title or header.

FASTBIT EMBEDDED TECHNOLOGIES PVT LTD	
Project	<<PROJECT TITLE HERE>>
	Client <<CLIENT NAME>>
	Developer 1 <<LEAD ENGINEER NAME>>
	Developer 2 <<SECOND ENGINEER NAME>>
	Reviewer <<REVIEWER NAME>>
	Version rev_a1
	Date <<YYYY-MM-DD>>
	Sheet 1 / 13
Notes <<SHORT NOTE>>	

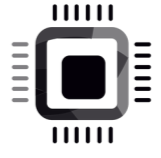


FASTBIT EMBEDDED TECHNOLOGIES PVT LTD	
Project	<<PROJECT TITLE HERE>>
	Client <<CLIENT NAME>>
	Developer 1 <<LEAD ENGINEER NAME>>
	Developer 2 <<SECOND ENGINEER NAME>>
	Reviewer <<REVIEWER NAME>>
	Version rev_a1
	Date <<YYYY-MM-DD>>
	Sheet 2 / 13
Notes <<SHORT NOTE>>	

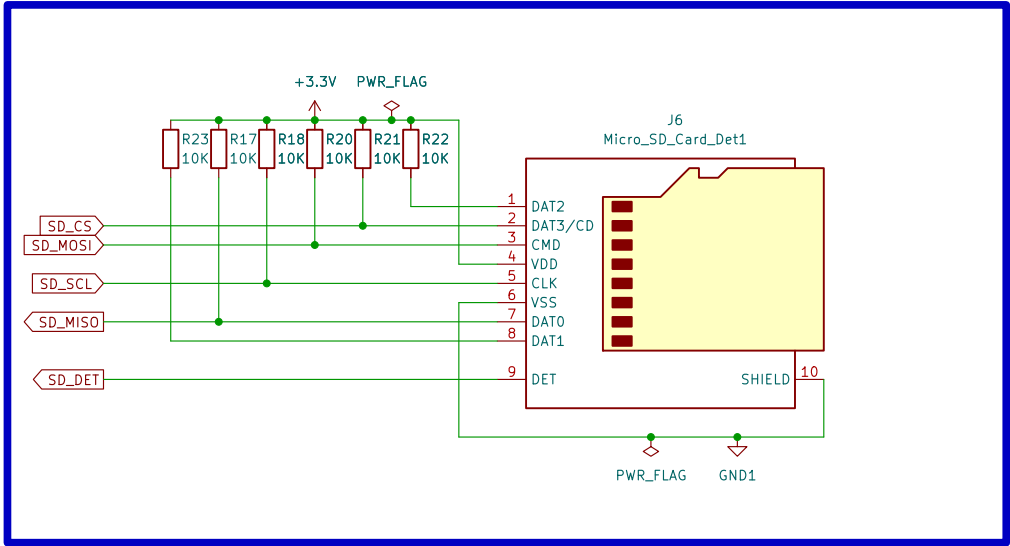
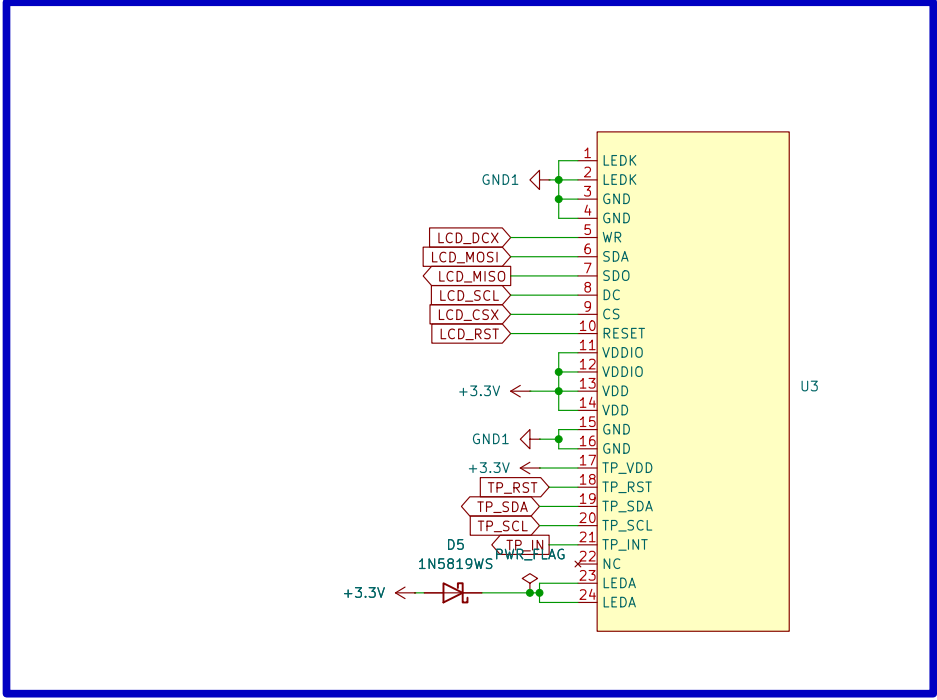
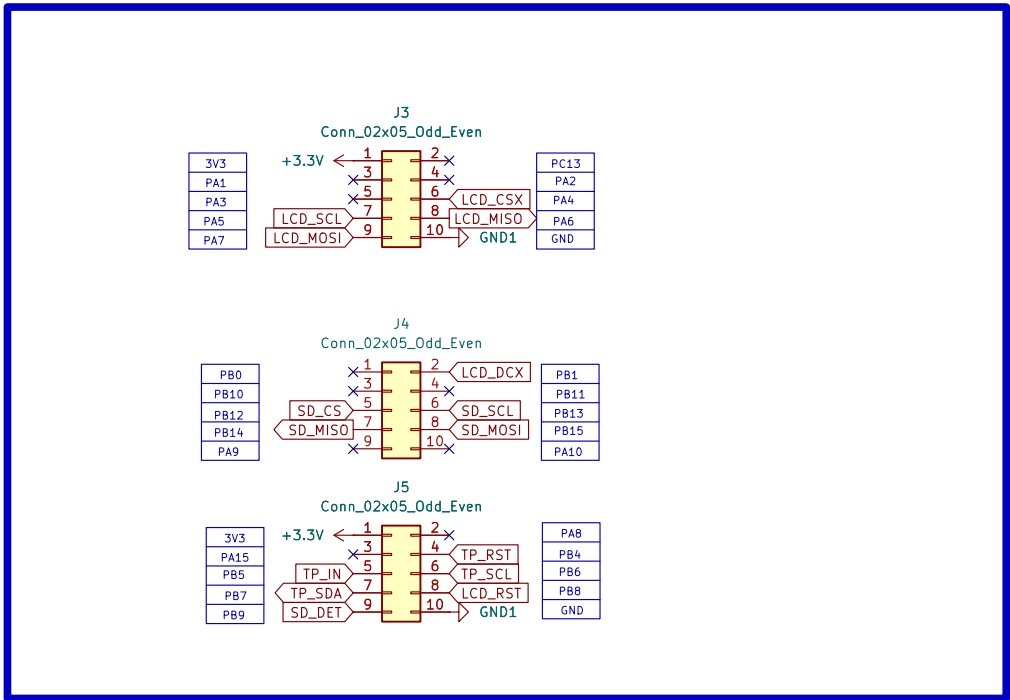


FASTBIT EMBEDDED TECHNOLOGIES PVT LTD

Project <<PROJECT TITLE HERE>>



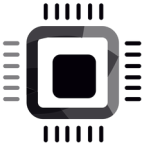
Client	<<CLIENT NAME>>
Developer 1	<<LEAD ENGINEER NAME>>
Developer 2	<<SECOND ENGINEER NAME>>
Reviewer	<<REVIEWER NAME>>
Version	rev_a1
Date	<<YYYY-MM-DD>>
Sheet	3 / 13
Notes	<<SHORT NOTE>>

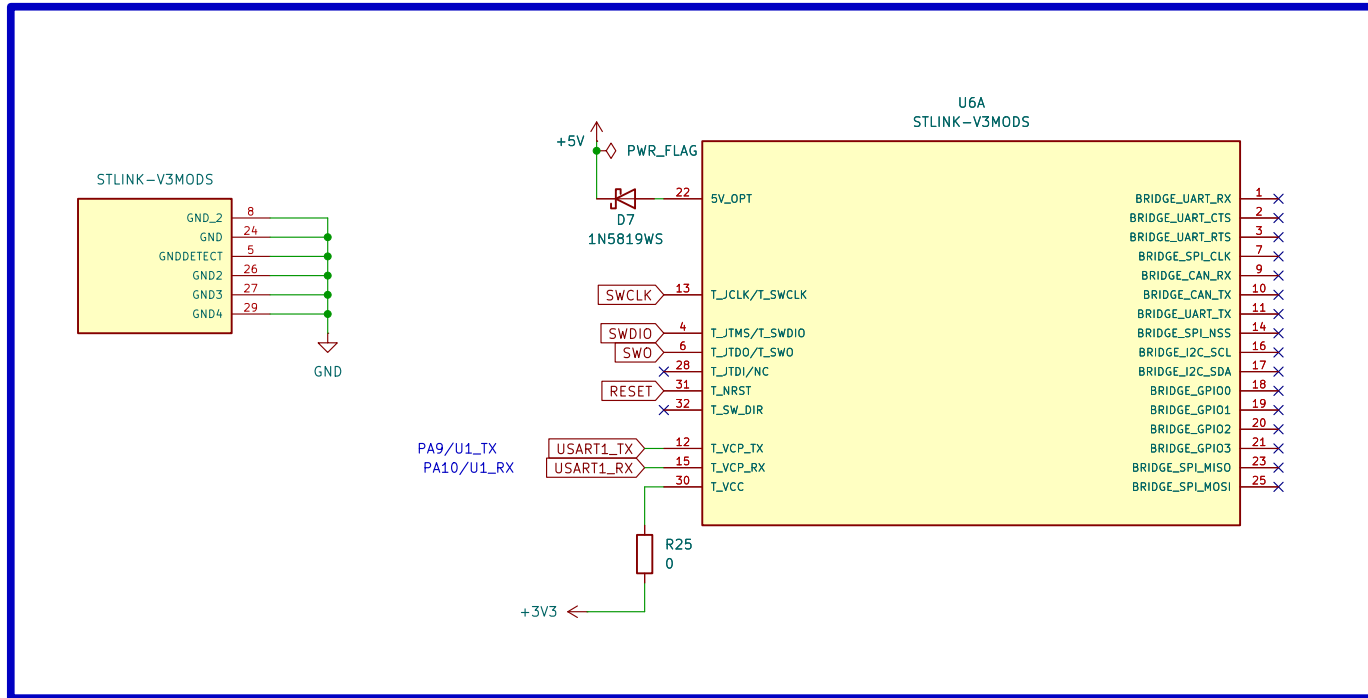


FASTBIT EMBEDDED TECHNOLOGIES PVT LTD

Project <<PROJECT TITLE HERE>>

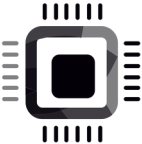
Client	<<CLIENT NAME>>
Developer 1	<<LEAD ENGINEER NAME>>
Developer 2	<<SECOND ENGINEER NAME>>
Reviewer	<<REVIEWER NAME>>
Version	rev_a1
Date	<<YYYY-MM-DD>>
Sheet	4 / 13
Notes	<<SHORT NOTE>>



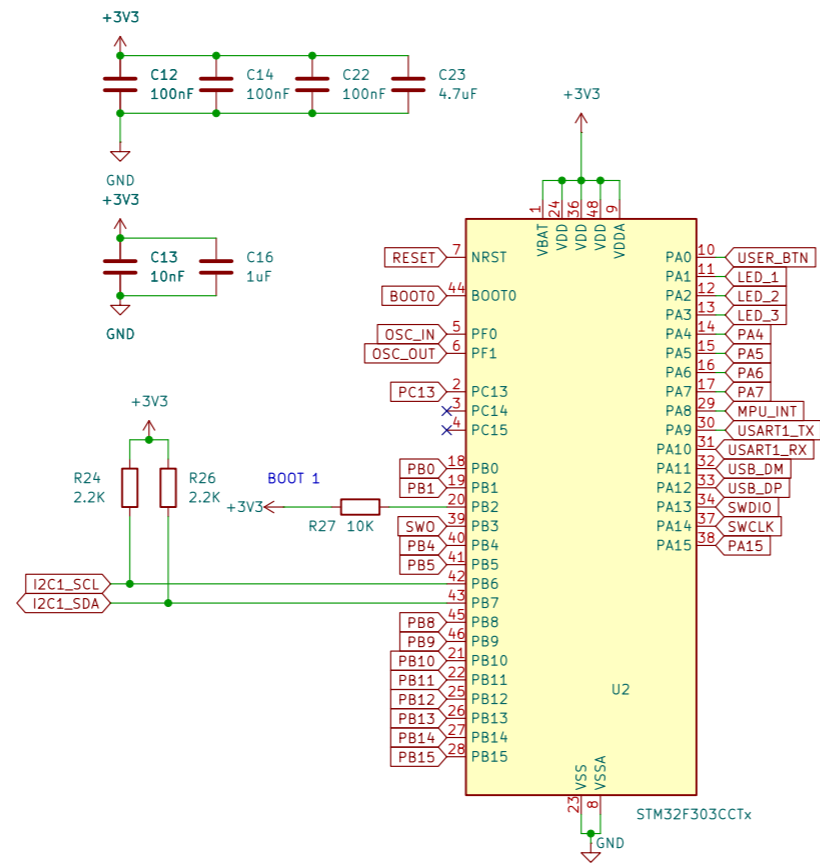


FASTBIT EMBEDDED TECHNOLOGIES PVT LTD

Project <<PROJECT TITLE HERE>>

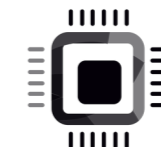
	Client	<<CLIENT NAME>>
	Developer 1	<<LEAD ENGINEER NAME>>
	Developer 2	<<SECOND ENGINEER NAME>>
	Reviewer	<<REVIEWER NAME>>
	Version	rev_a1
	Date	<<YYYY-MM-DD>>
	Sheet	5 / 13
Notes	<<SHORT NOTE>>	

STM32F303CCT6 MCU

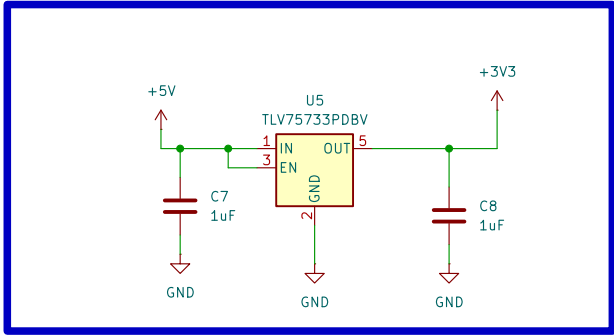


FASTBIT EMBEDDED TECHNOLOGIES PVT LTD

Project <<PROJECT TITLE HERE>>

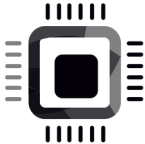


Client	<<CLIENT NAME>>
Developer 1	<<LEAD ENGINEER NAME>>
Developer 2	<<SECOND ENGINEER NAME>>
Reviewer	<<REVIEWER NAME>>
Version	rev_a1
Date	<<YYYY-MM-DD>>
Sheet	6 / 13
Notes	<<SHORT NOTE>>

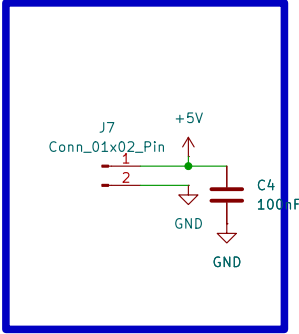
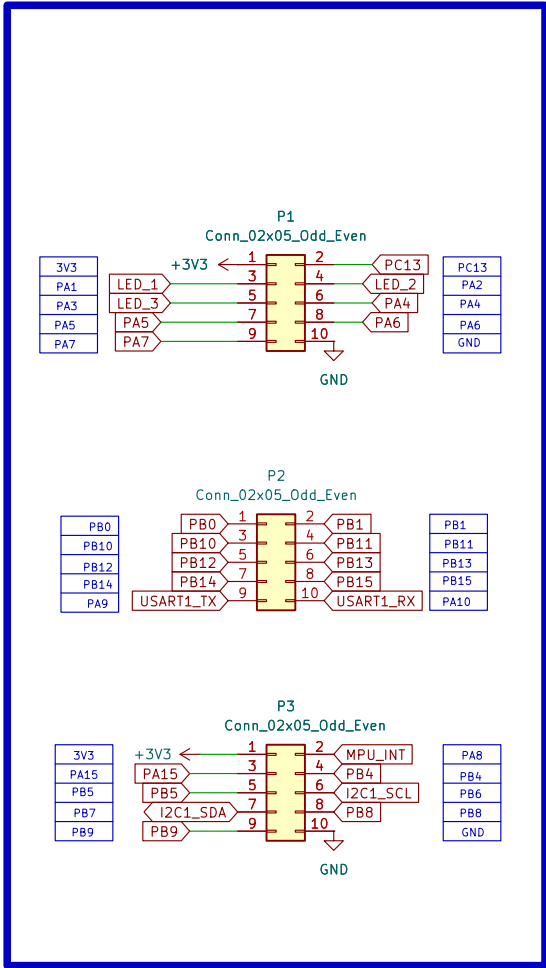


FASTBIT EMBEDDED TECHNOLOGIES PVT LTD

Project <<PROJECT TITLE HERE>>

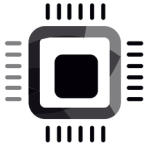


Client	<<CLIENT NAME>>
Developer 1	<<LEAD ENGINEER NAME>>
Developer 2	<<SECOND ENGINEER NAME>>
Reviewer	<<REVIEWER NAME>>
Version	rev_a1
Date	<<YYYY-MM-DD>>
Sheet	7 / 13
Notes	<<SHORT NOTE>>

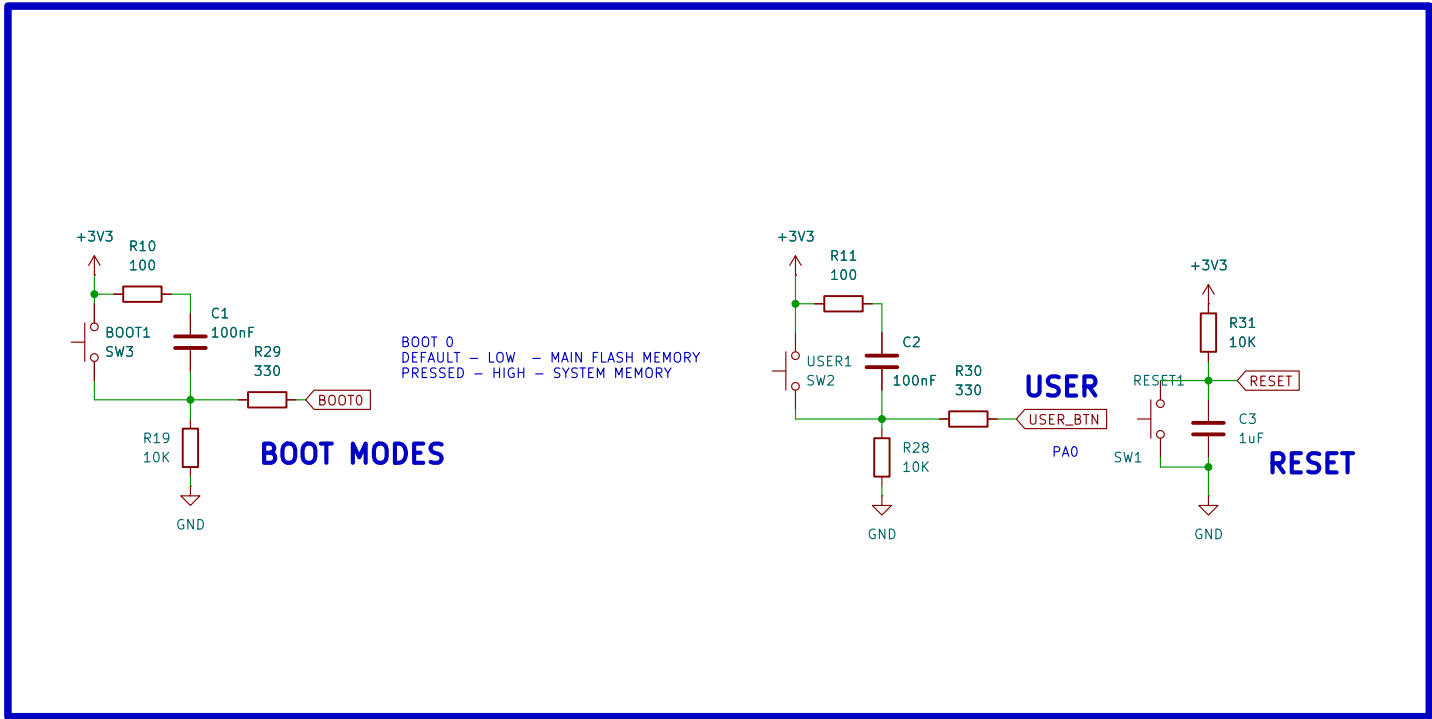


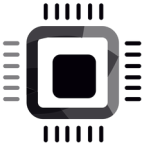
FASTBIT EMBEDDED TECHNOLOGIES PVT LTD

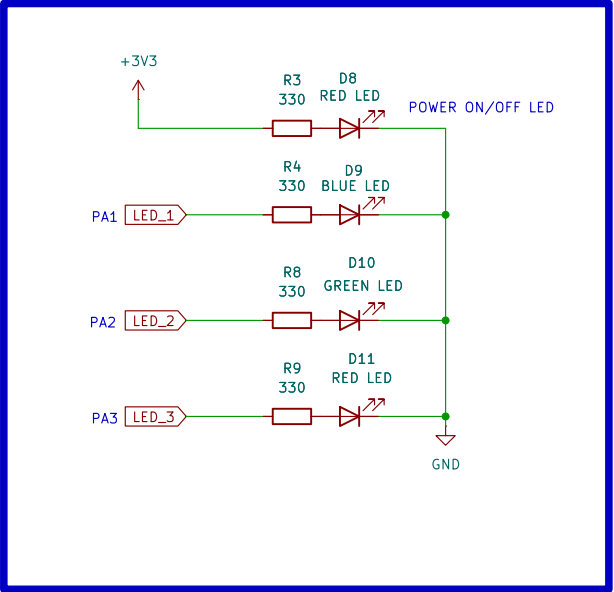
Project <<PROJECT TITLE HERE>>



Client	<<CLIENT NAME>>
Developer 1	<<LEAD ENGINEER NAME>>
Developer 2	<<SECOND ENGINEER NAME>>
Reviewer	<<REVIEWER NAME>>
Version	rev_a1
Date	<<YYYY-MM-DD>>
Sheet	8 / 13
Notes	<<SHORT NOTE>>

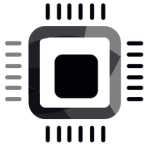


FASTBIT EMBEDDED TECHNOLOGIES PVT LTD		
Project	<<PROJECT TITLE HERE>>	
	Client	<<CLIENT NAME>>
	Developer 1	<<LEAD ENGINEER NAME>>
	Developer 2	<<SECOND ENGINEER NAME>>
	Reviewer	<<REVIEWER NAME>>
	Version	rev_a1
	Date	<<YYYY-MM-DD>>
Sheet	9 / 13	
Notes	<<SHORT NOTE>>	

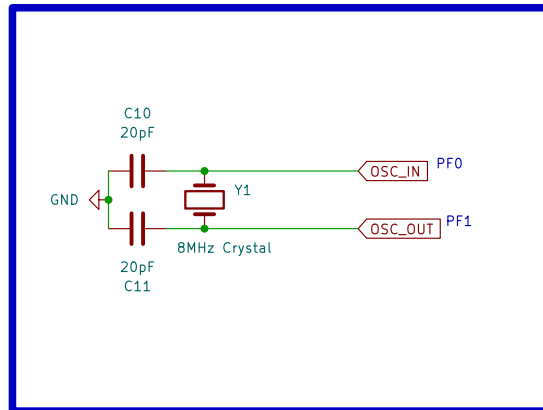


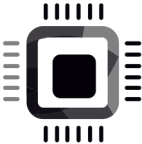
FASTBIT EMBEDDED TECHNOLOGIES PVT LTD

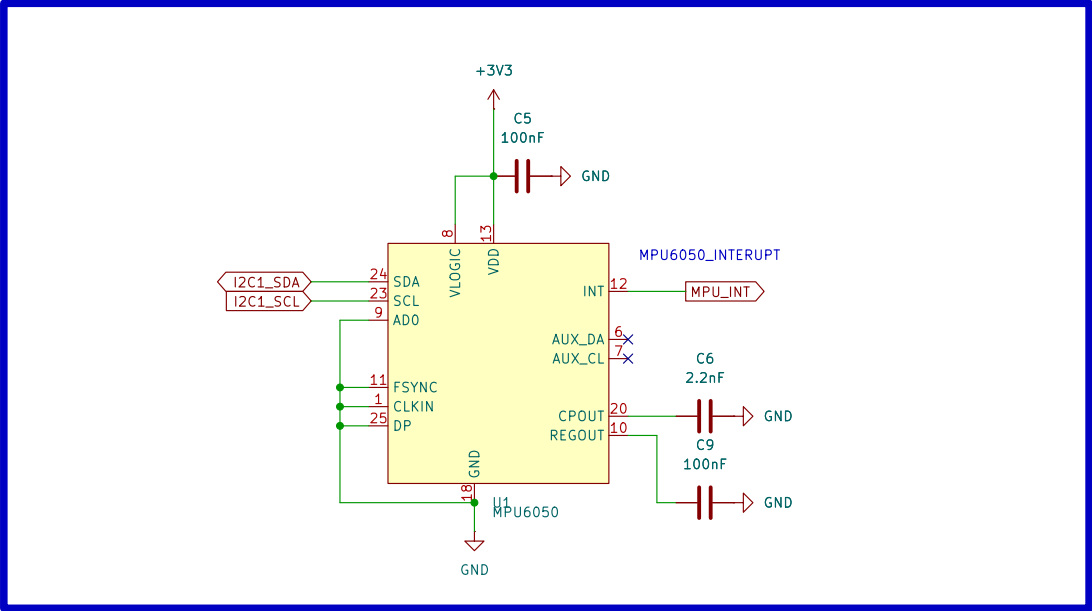
Project <<PROJECT TITLE HERE>>



Client	<<CLIENT NAME>>
Developer 1	<<LEAD ENGINEER NAME>>
Developer 2	<<SECOND ENGINEER NAME>>
Reviewer	<<REVIEWER NAME>>
Version	rev_a1
Date	<<YYYY-MM-DD>>
Sheet	10 / 13
Notes	<<SHORT NOTE>>

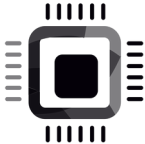


FASTBIT EMBEDDED TECHNOLOGIES PVT LTD		
Project	<<PROJECT TITLE HERE>>	
	Client	<<CLIENT NAME>>
	Developer 1	<<LEAD ENGINEER NAME>>
	Developer 2	<<SECOND ENGINEER NAME>>
	Reviewer	<<REVIEWER NAME>>
	Version	rev_a1
	Date	<<YYYY-MM-DD>>
	Sheet	11 / 13
Notes	<<SHORT NOTE>>	

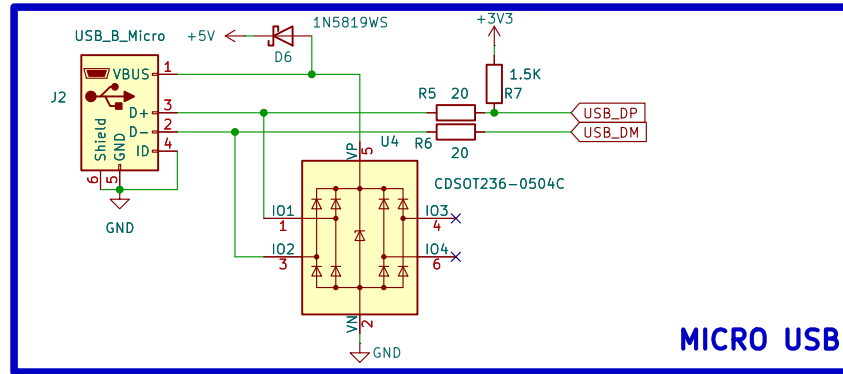


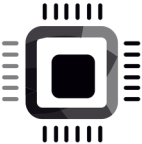
FASTBIT EMBEDDED TECHNOLOGIES PVT LTD

Project <<PROJECT TITLE HERE>>



Client	<<CLIENT NAME>>
Developer 1	<<LEAD ENGINEER NAME>>
Developer 2	<<SECOND ENGINEER NAME>>
Reviewer	<<REVIEWER NAME>>
Version	rev_a1
Date	<<YYYY-MM-DD>>
Sheet	12 / 13
Notes	<<SHORT NOTE>>



FASTBIT EMBEDDED TECHNOLOGIES PVT LTD		
Project	<<PROJECT TITLE HERE>>	
	Client	<<CLIENT NAME>>
	Developer 1	<<LEAD ENGINEER NAME>>
	Developer 2	<<SECOND ENGINEER NAME>>
	Reviewer	<<REVIEWER NAME>>
	Version	rev_a1
	Date	<<YYYY-MM-DD>>
	Sheet	13 / 13
Notes	<<SHORT NOTE>>	